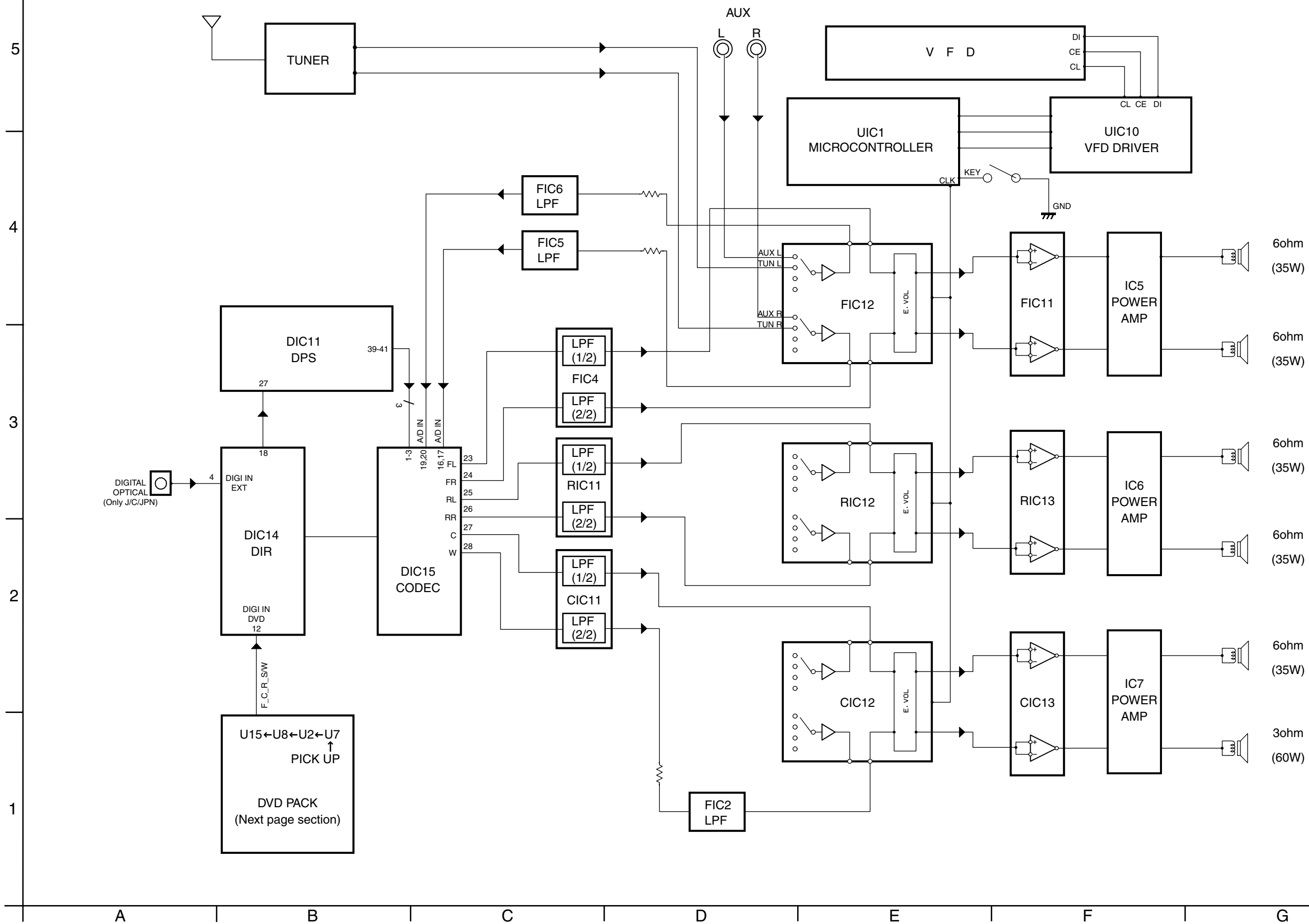
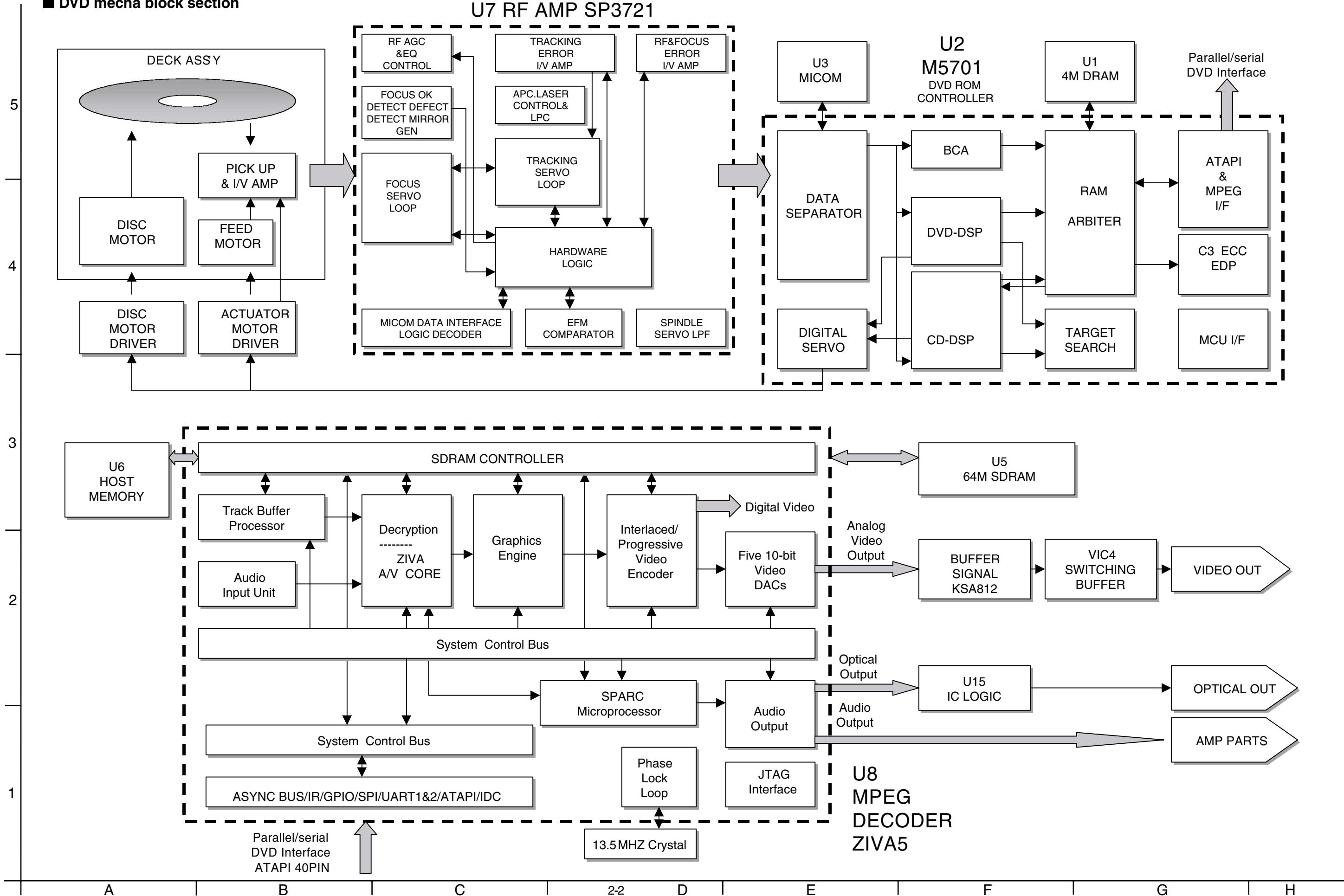


Block diagrams

■ Main section

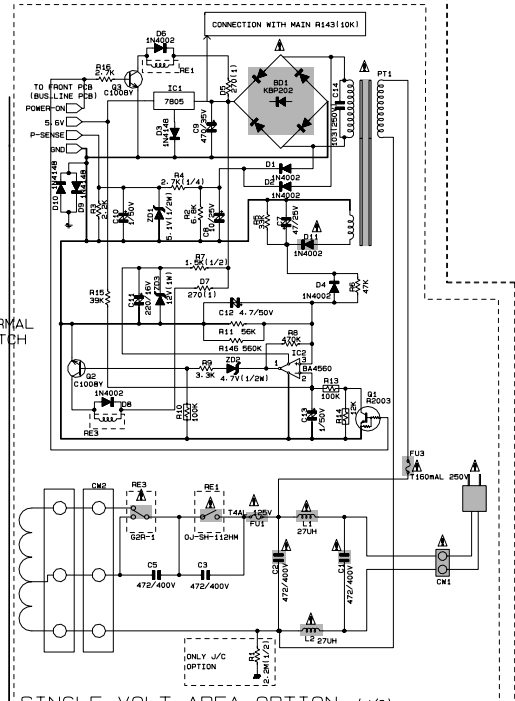
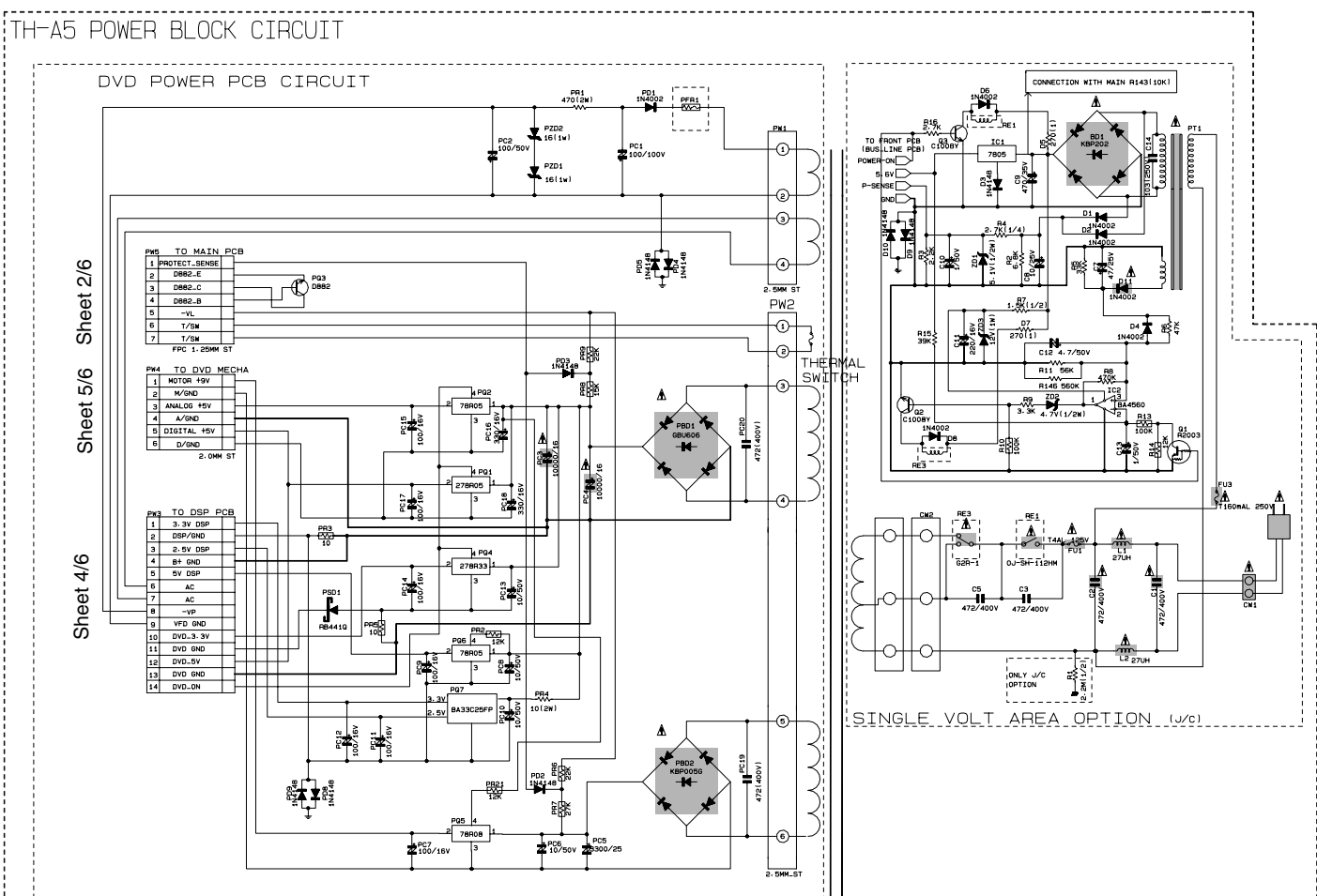
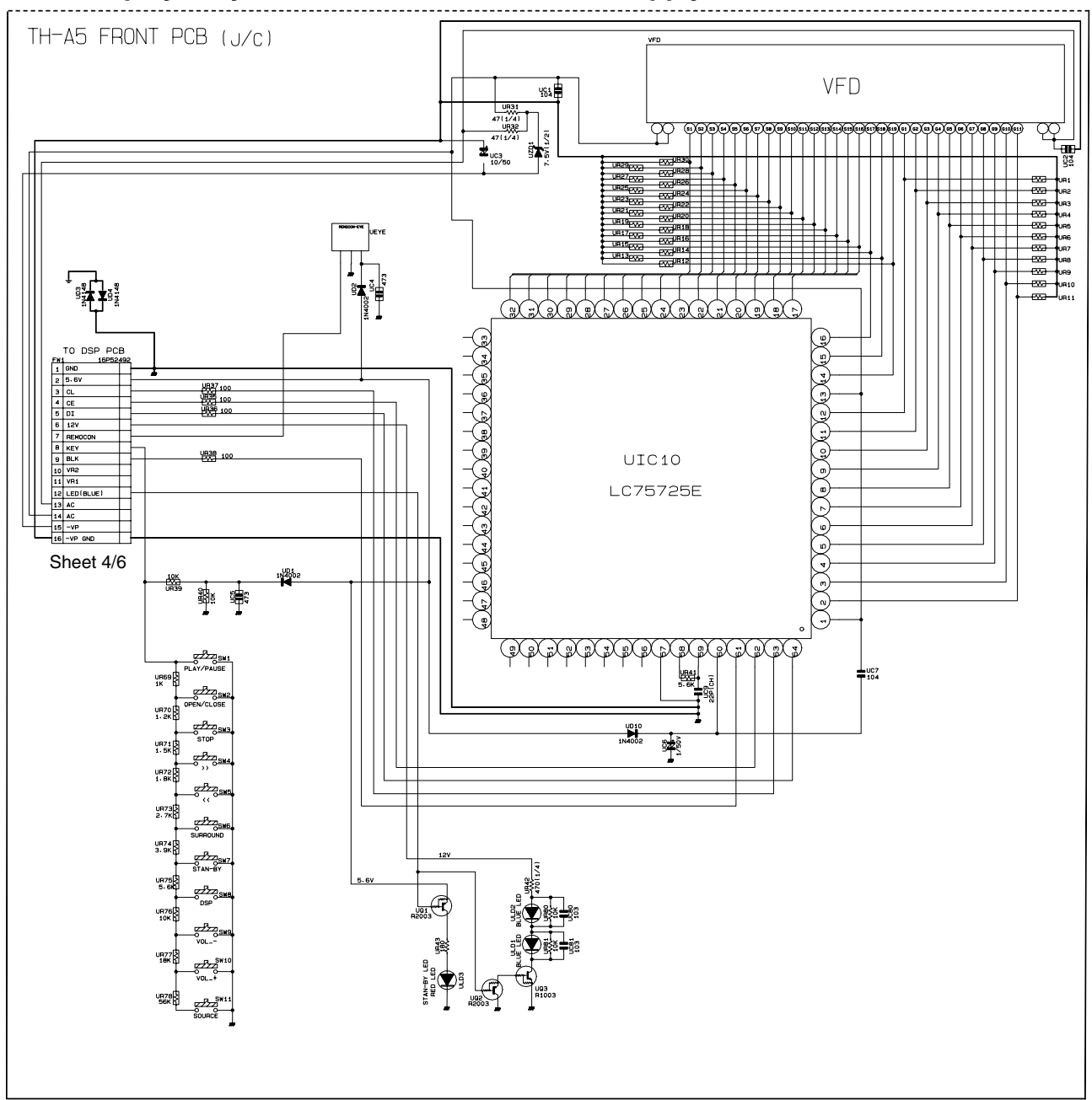


■ DVD mecha block section



Standard schematic diagrams

■ FL display & System control section / Power supply section



SHEET NUMBER	CIRCUIT DESCRIPTION
1/6	FL display & System control / Power supply
2/6	Main
3/6	Video signal output
4/6	DSP
5/6	DVD loader
6/6	DVD MPEG

▲ Parts are safety assurance parts. When replacing those parts, make sure to use the specified parts.

Main section

(AMP+PROTECTION+FAN)

5

4

3

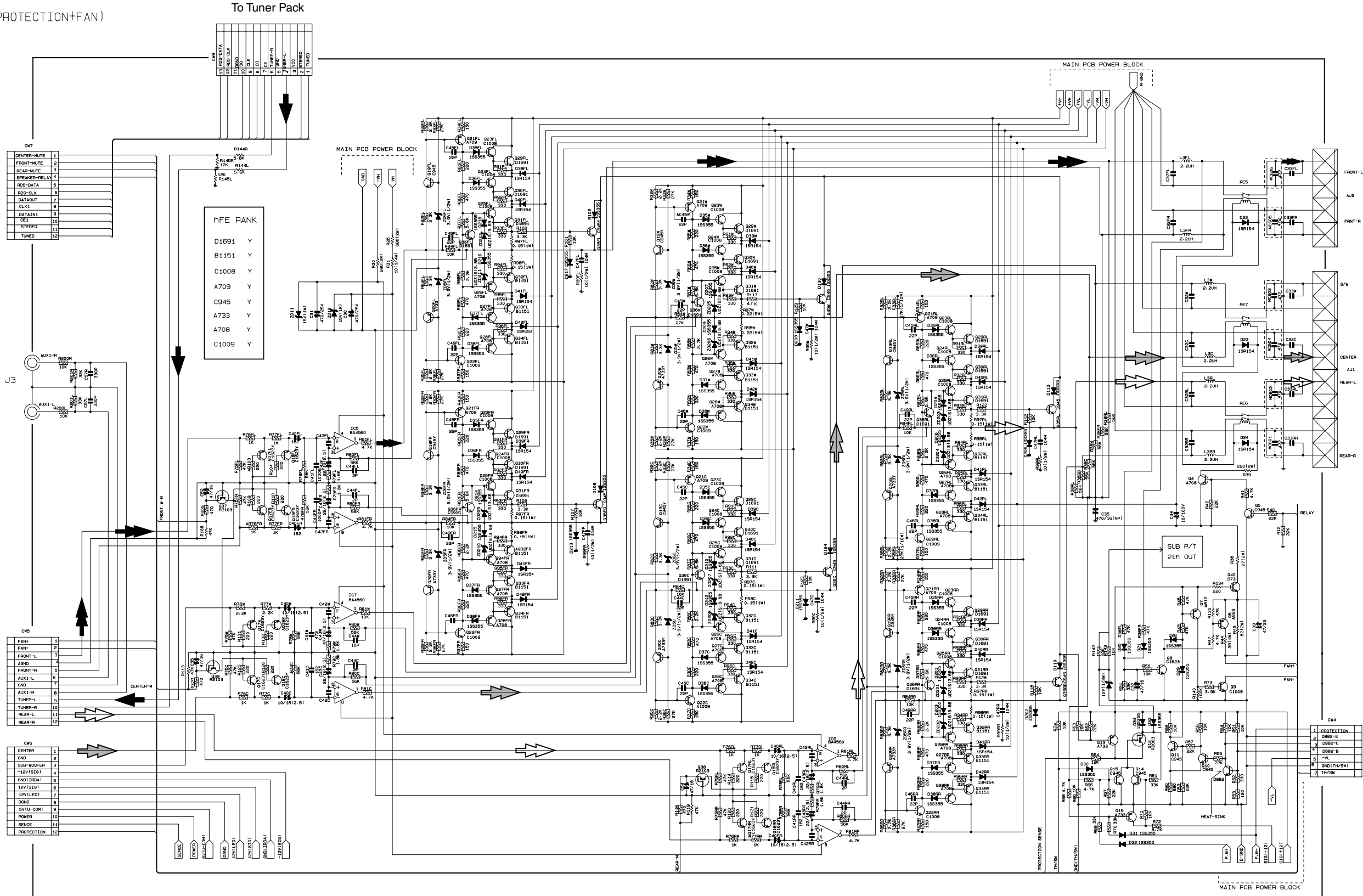
2

1

To DW14 Sheet 4/6

To DW10 Sheet 4/6

To DW13 Sheet 4/6



Tuner signal

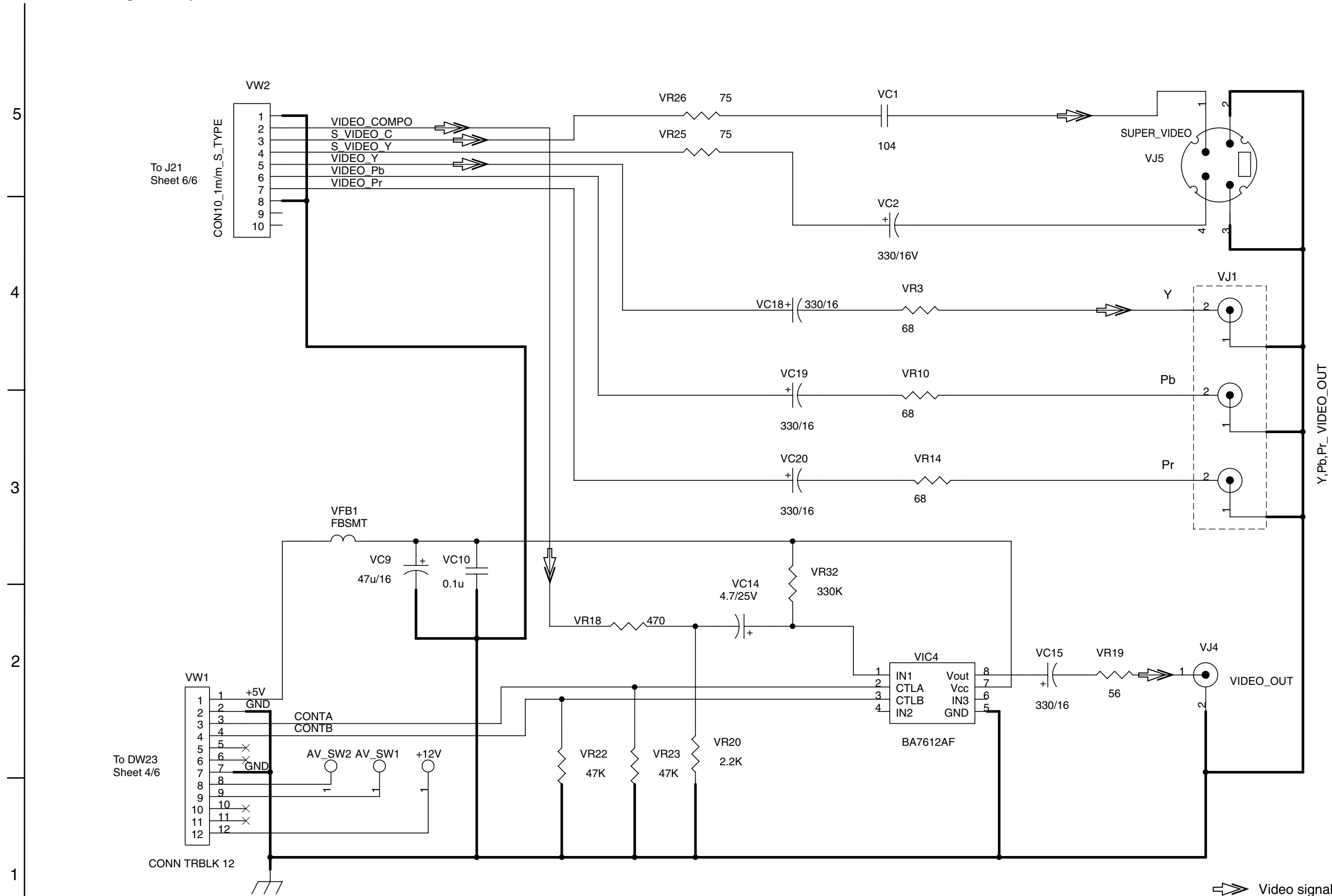
Front signal

Center signal

Rear signal

To PW5 Sheet 1/6

Video signal output section



Video signal

To DW23 Sheet 4/6

To J21 Sheet 6/6

DSP section

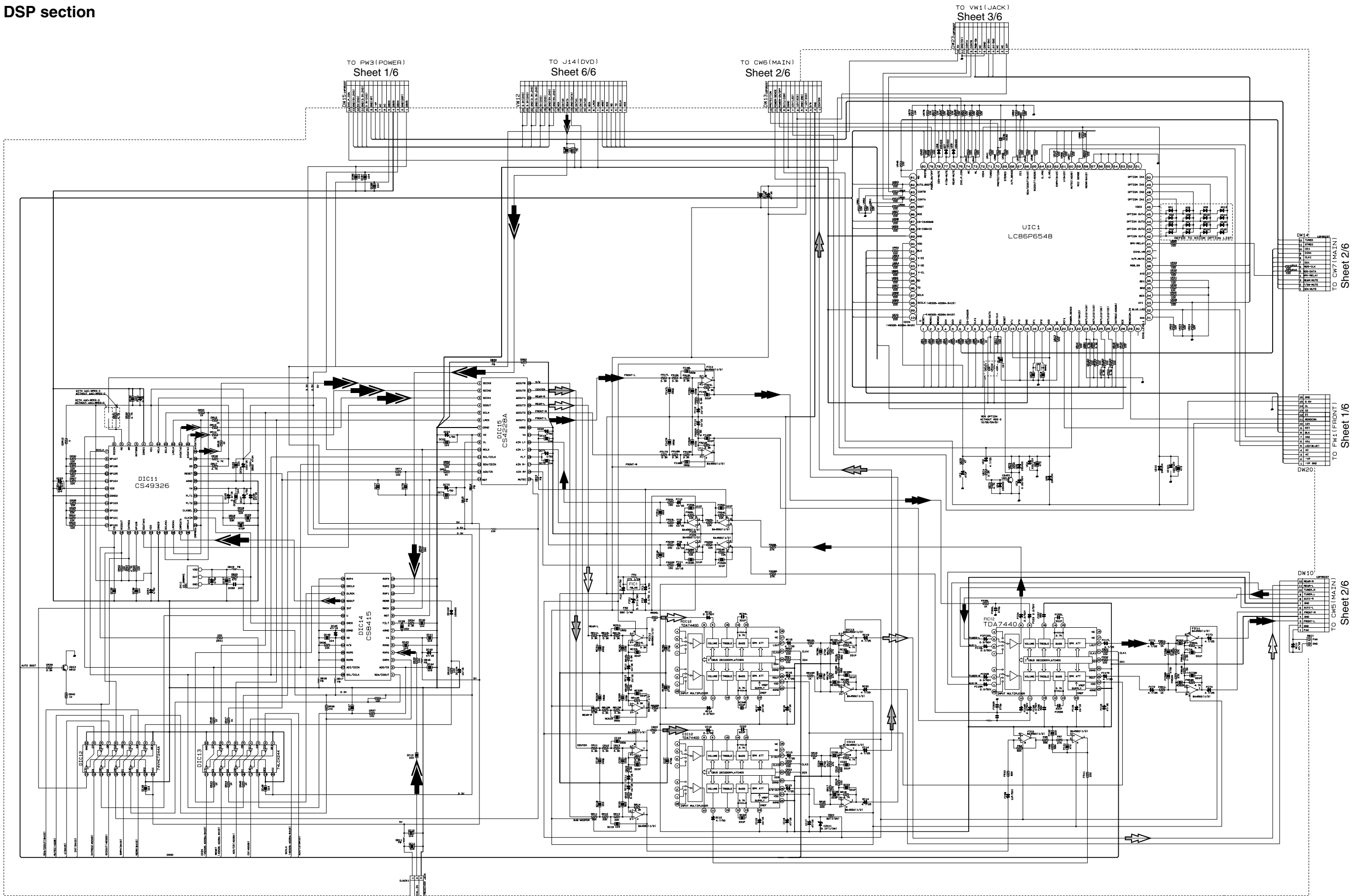
5

4

3

2

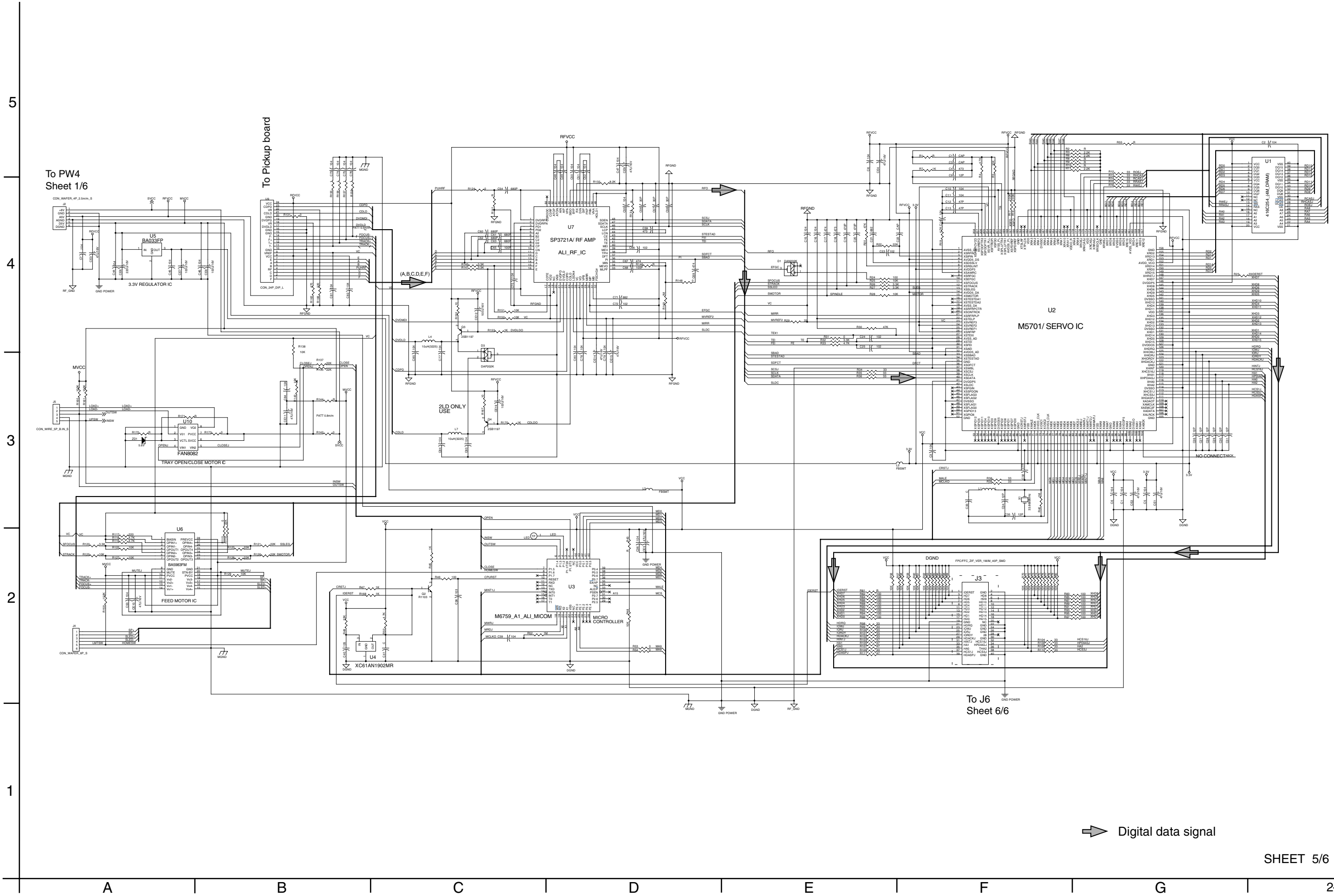
1



- ➡ Tuner signal
- ➡ Digital audio signal
- ➡ Front signal
- ➡ Center signal
- ⚡ Rear signal

A B C 2-6 D E F G H

DVD loader section



DVD MPEG section

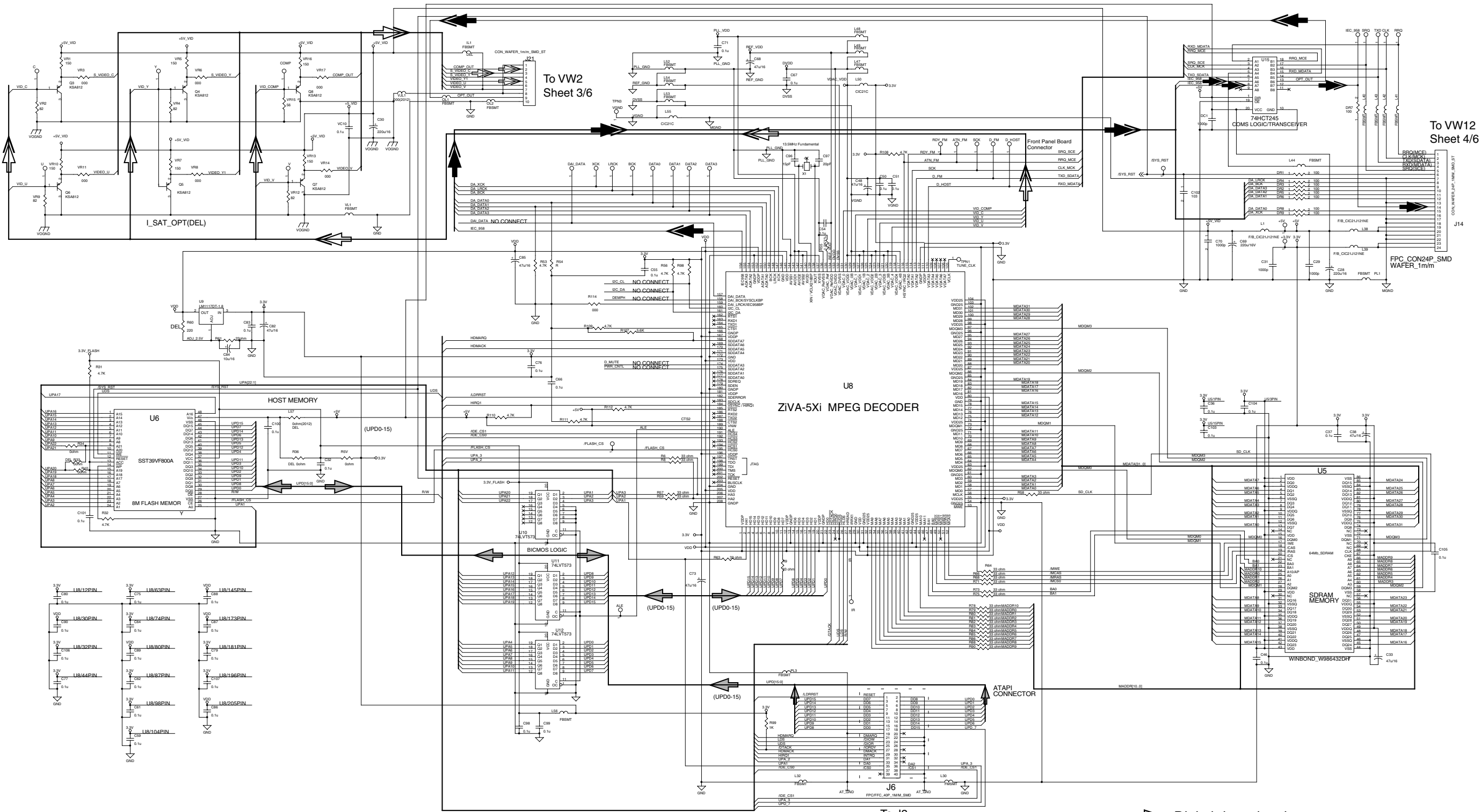
5

4

3

2

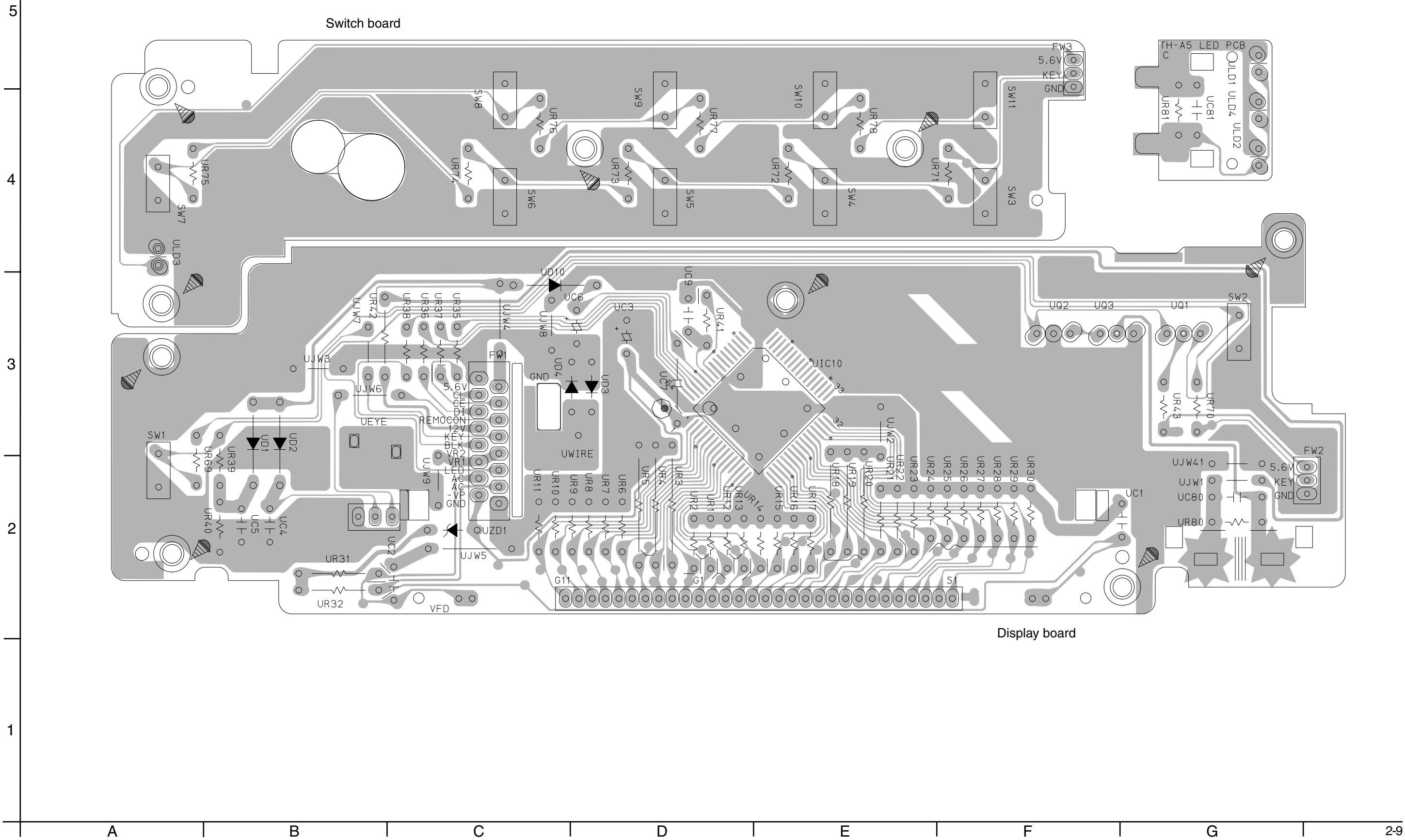
1



- Digital data signal
- Digital audio signal
- Video signal

Printed circuit boards

■ Front board



■ Main board (Forward side)

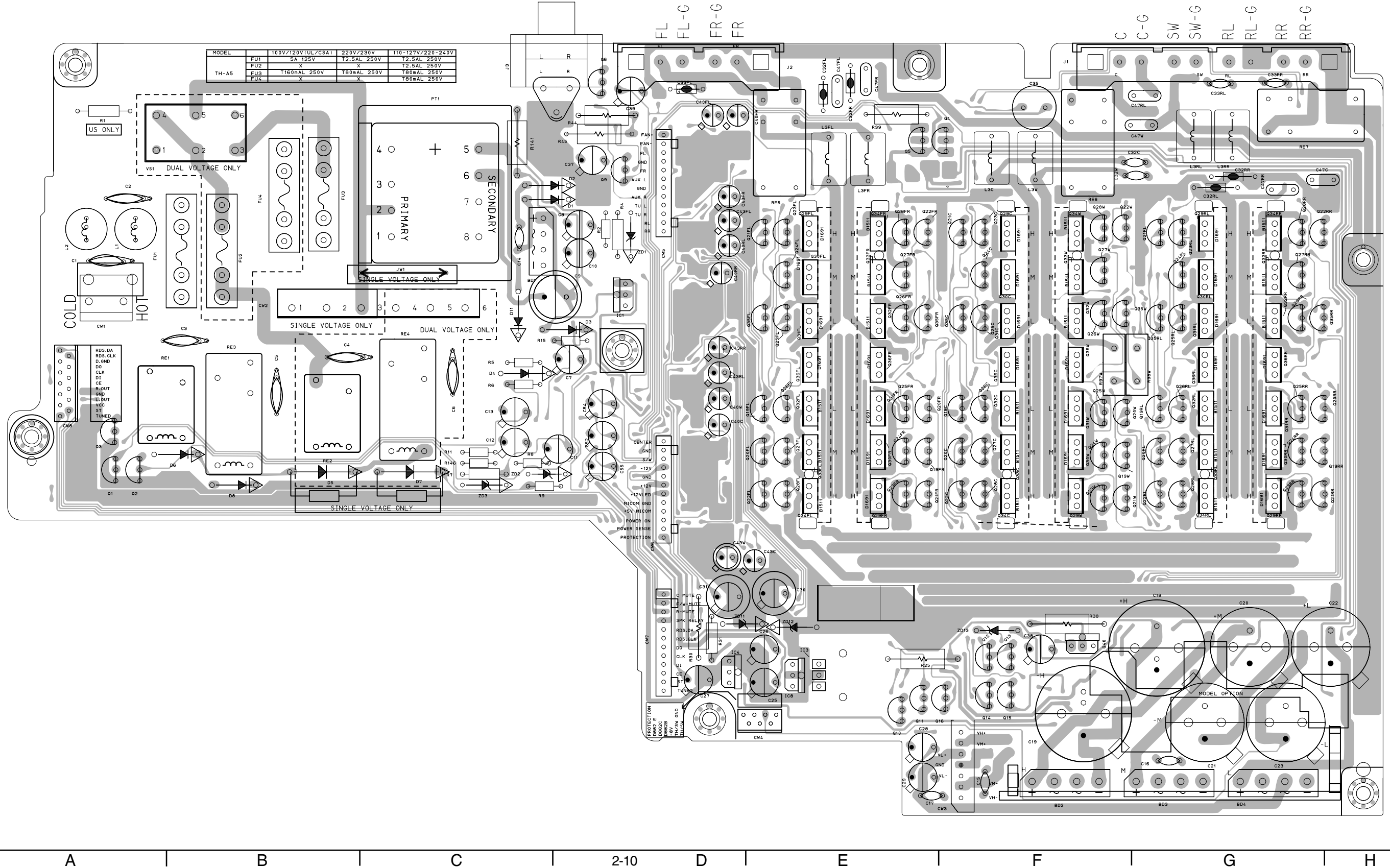
5

4

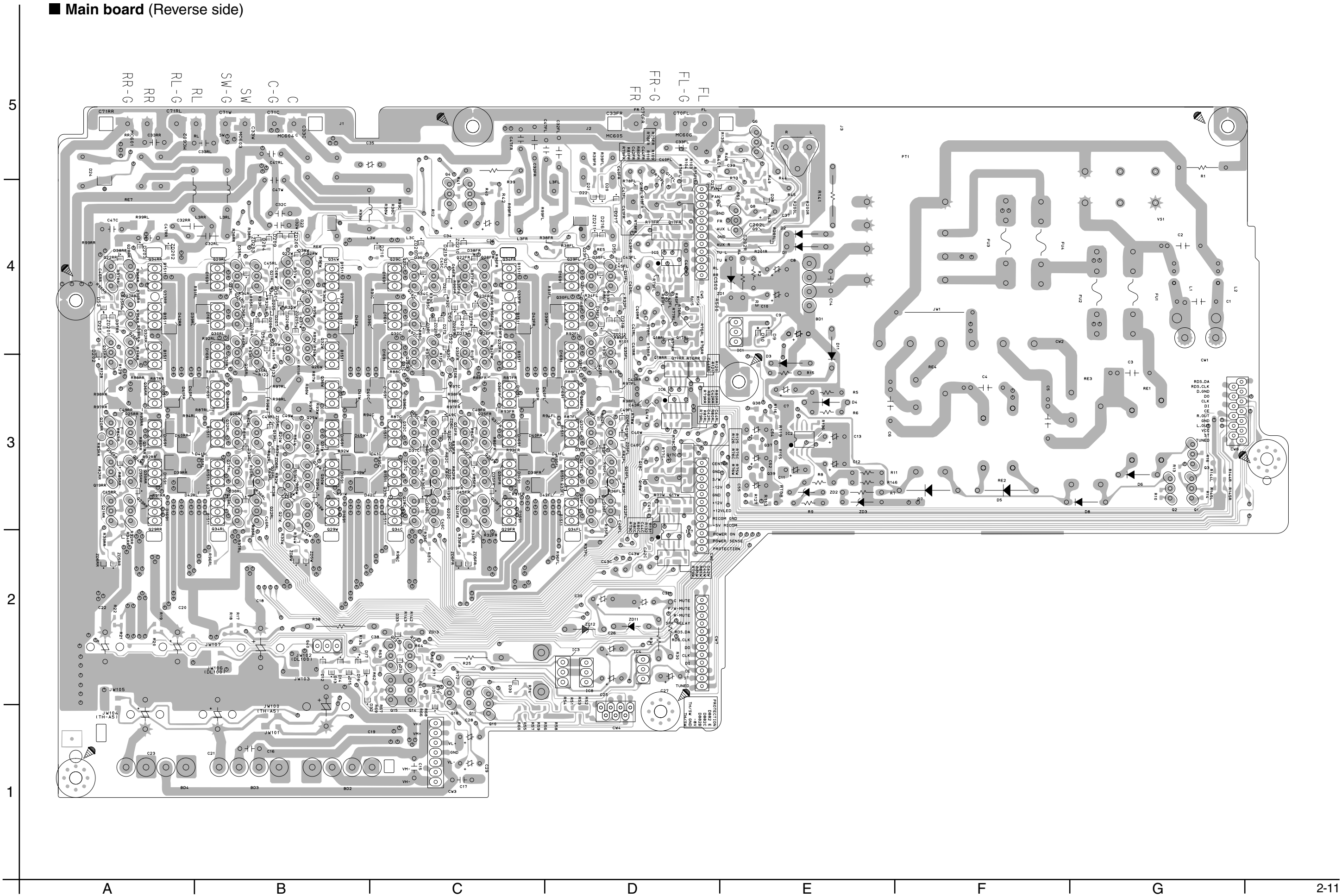
3

2

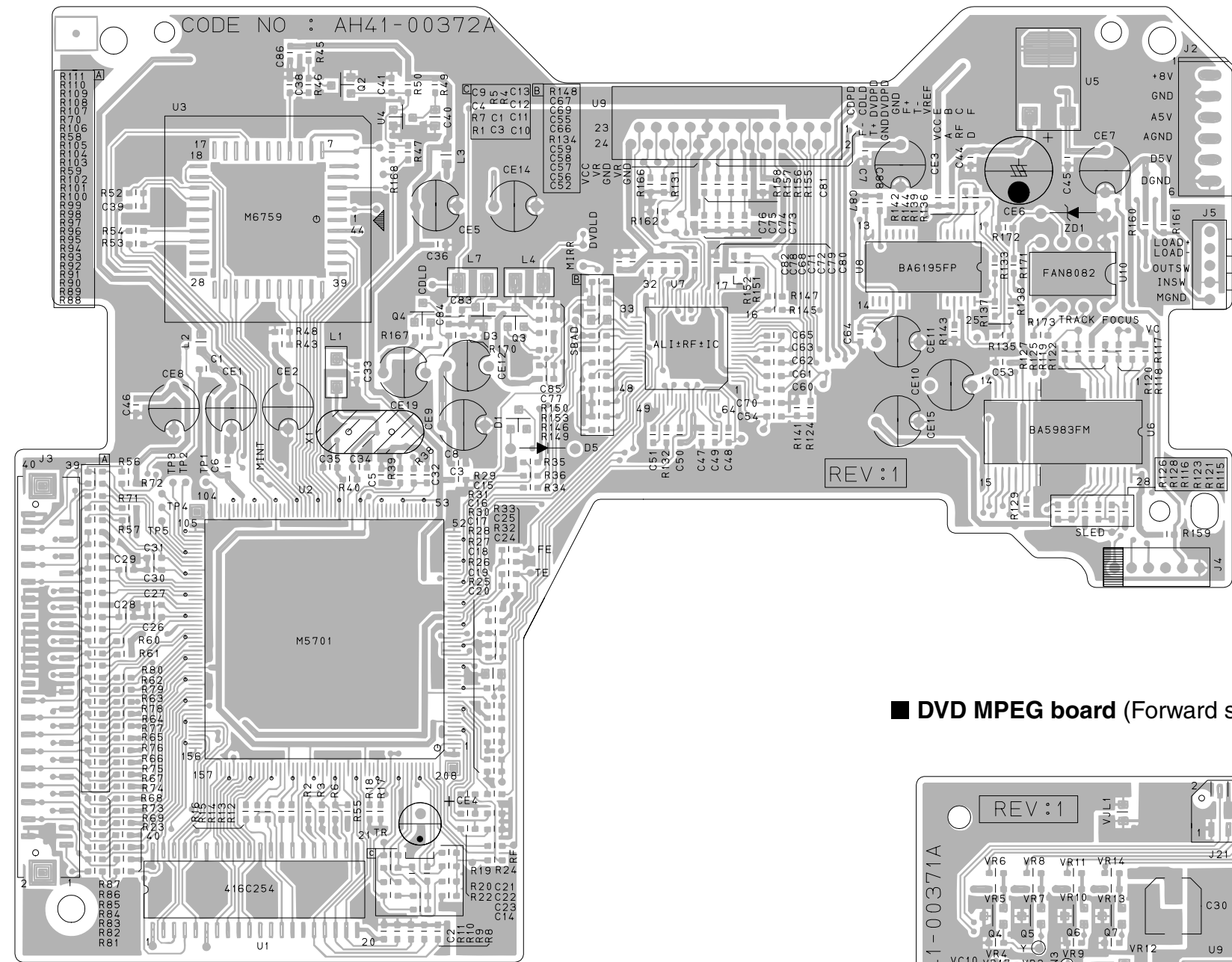
1



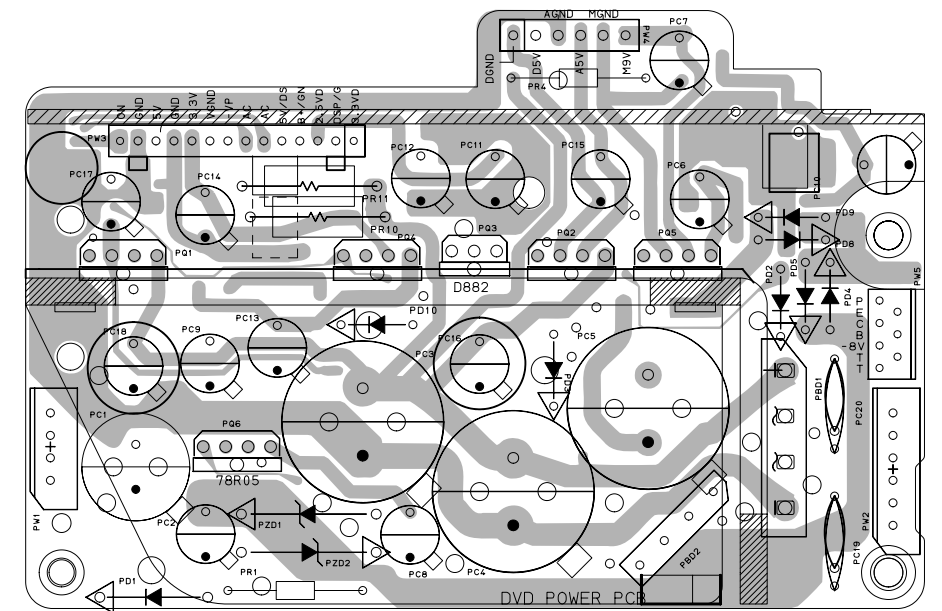
■ Main board (Reverse side)



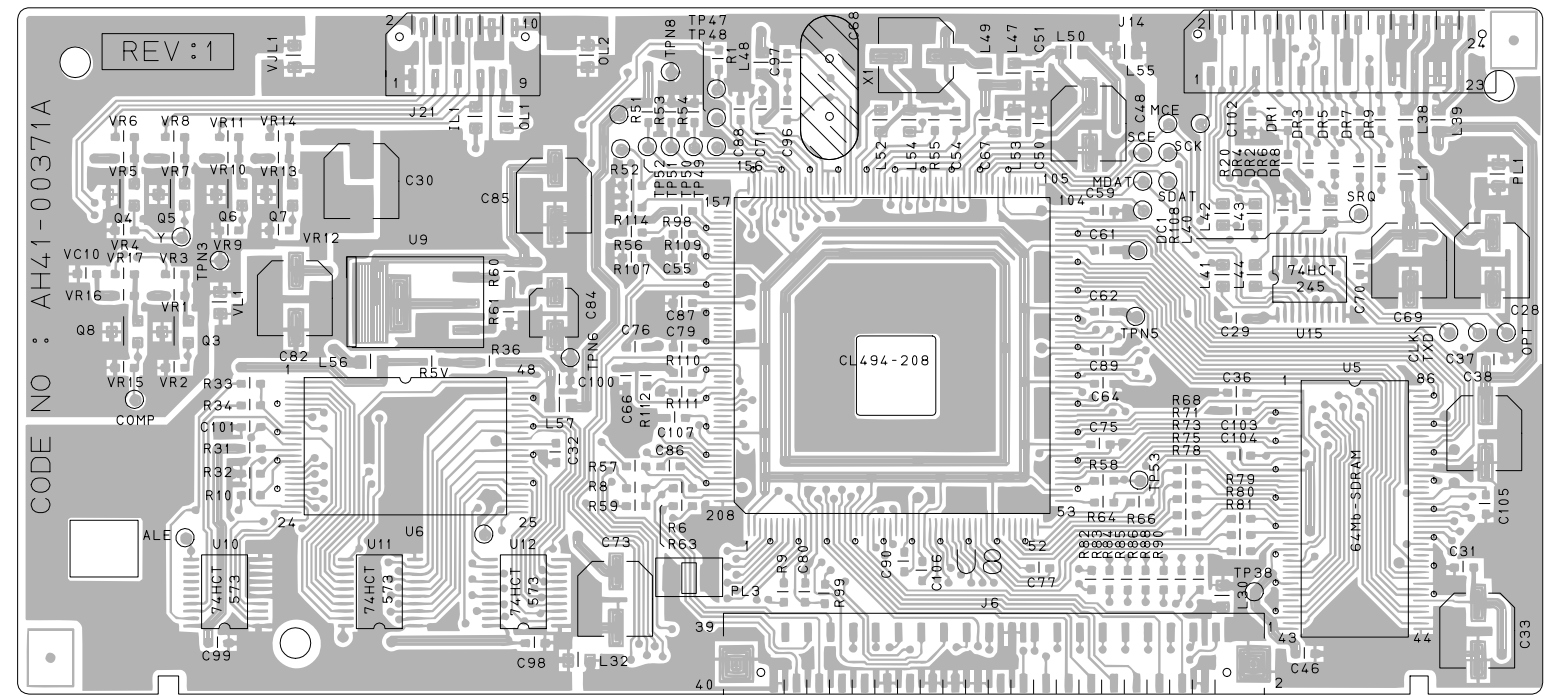
■ DVD loader board (Forward side)



■ DVD power board (Forward side)



■ DVD MPEG board (Forward side)



5

4

3

2

1

A

B

C

2-12

D

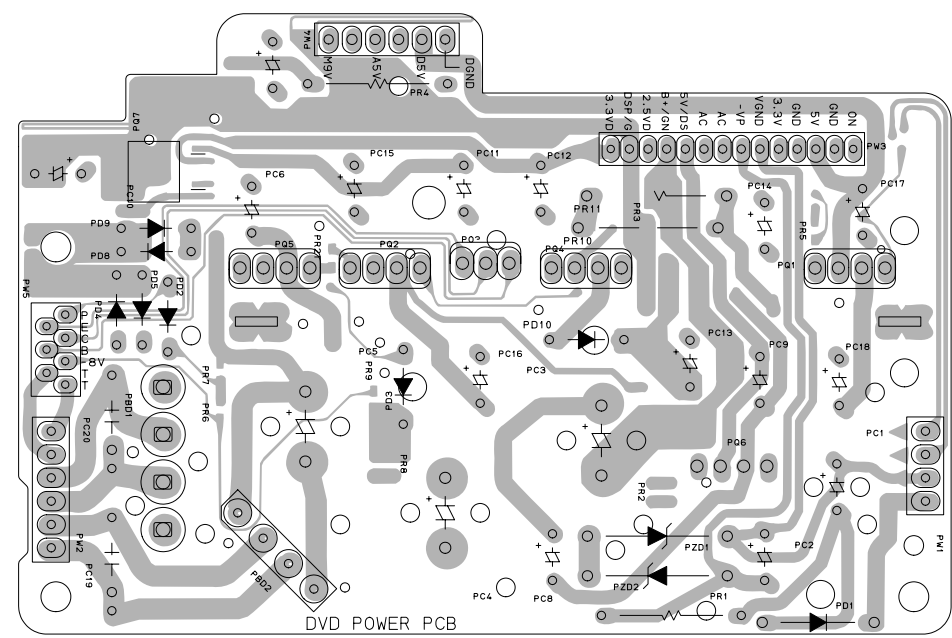
E

F

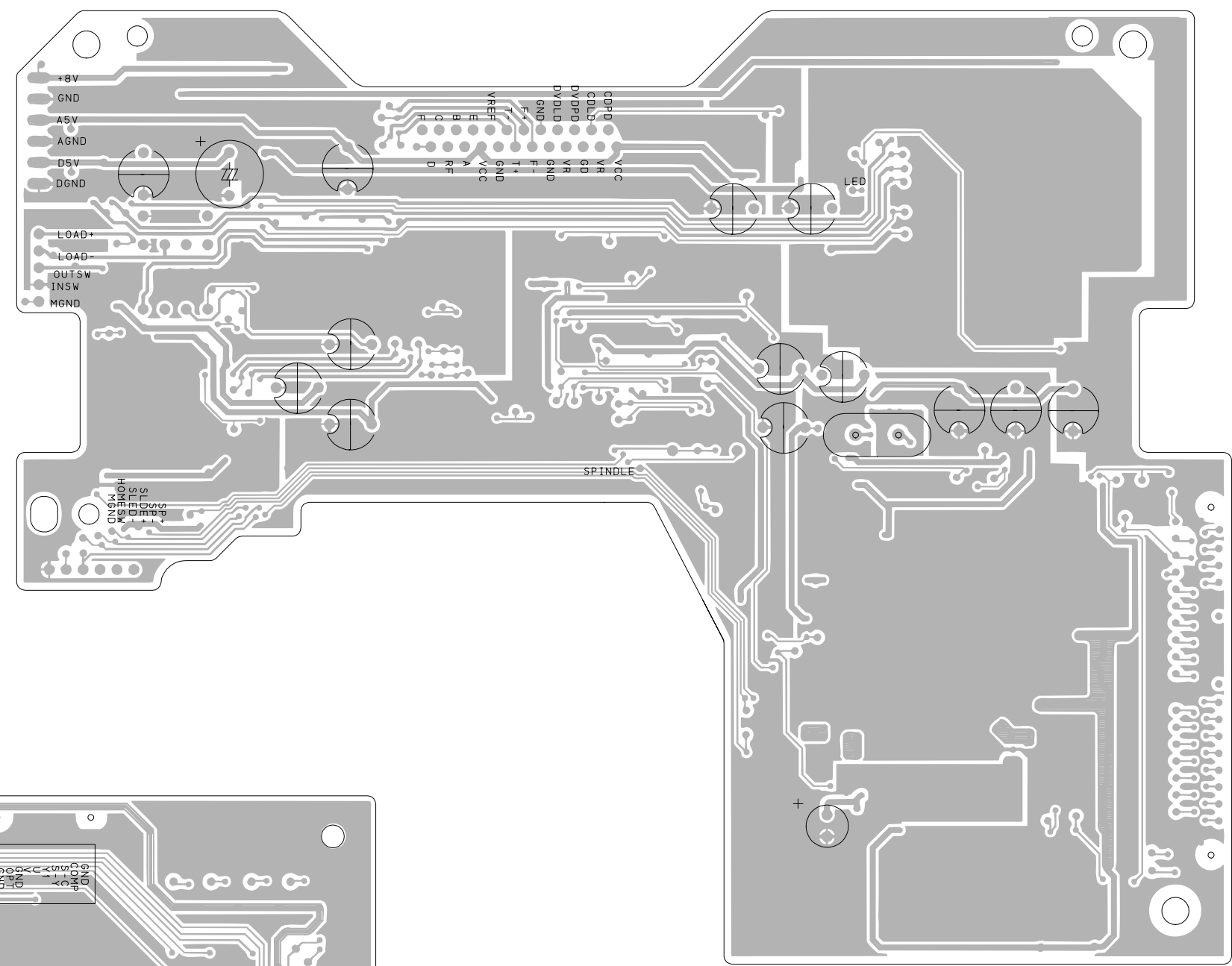
G

H

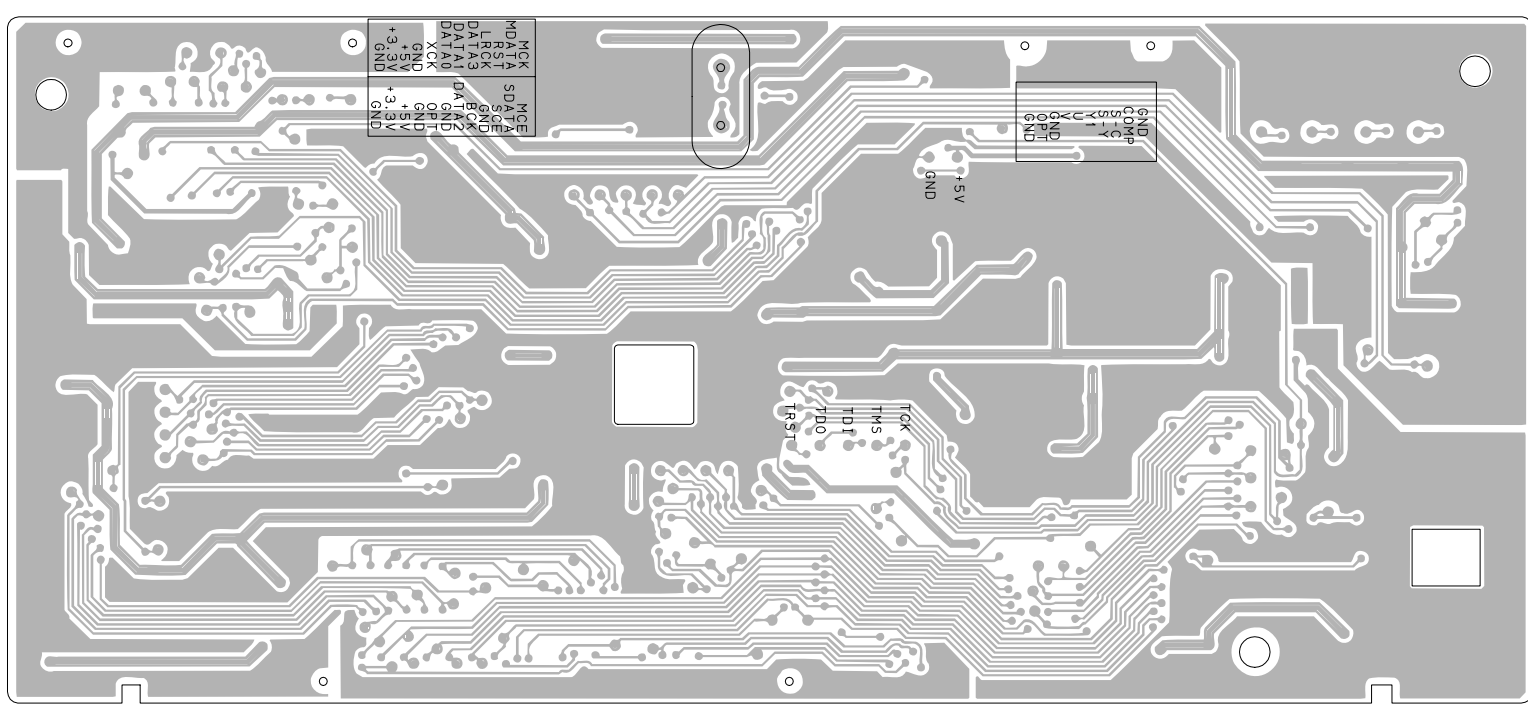
■ DVD power board (Reverse side)



■ DVD loader board (Reverse side)



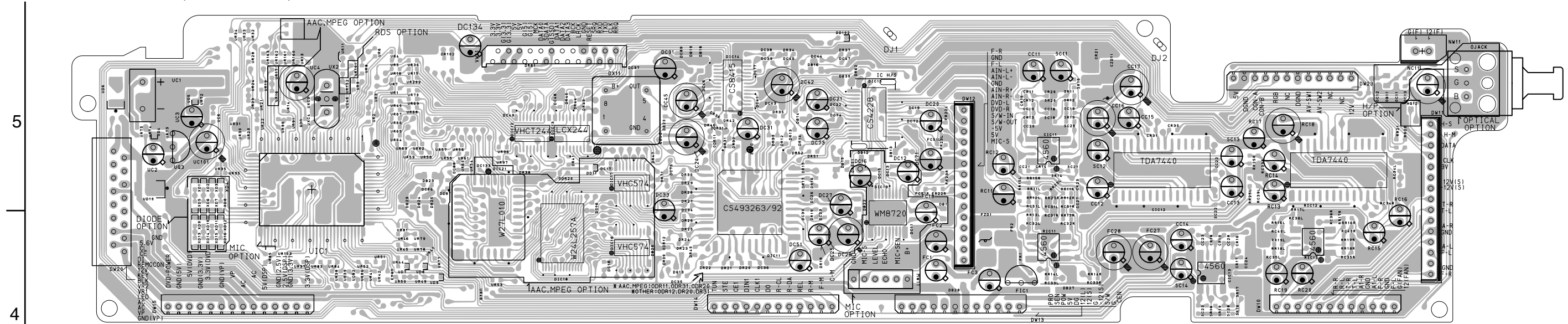
■ DVD MPEG board (Reverse side)



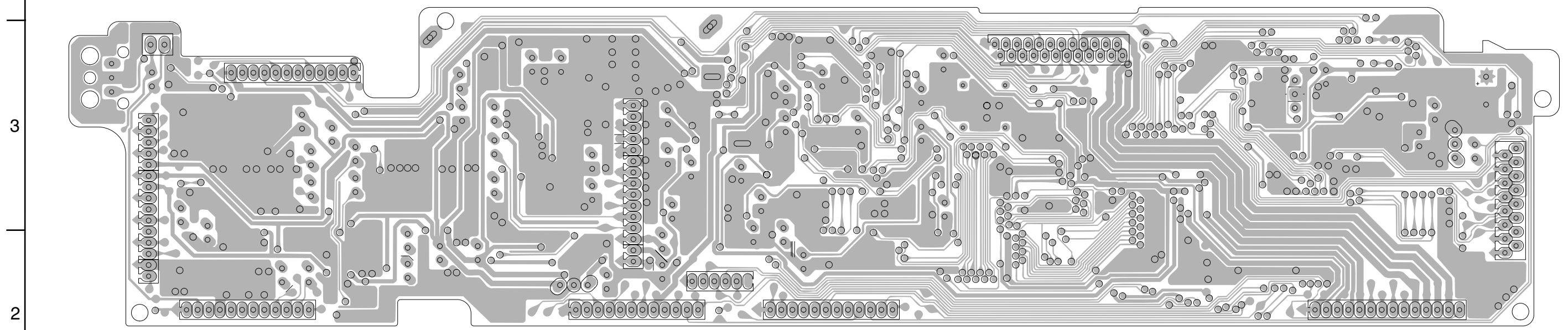
5
4
3
2
1

A B C D E F G 2-13

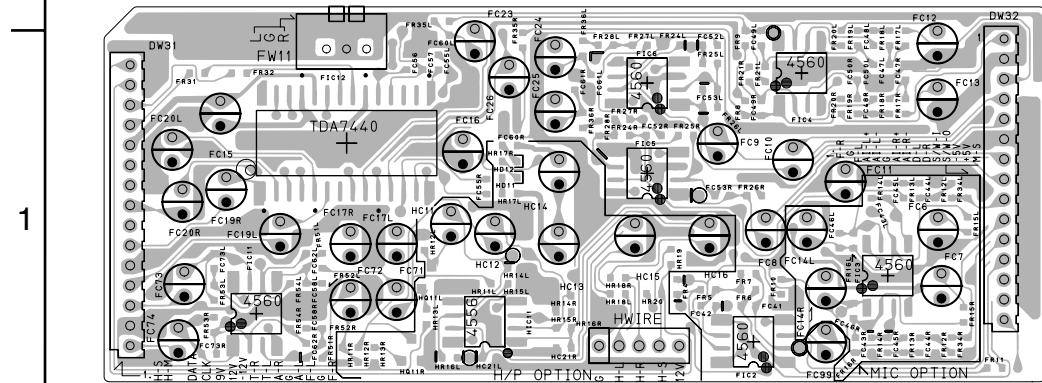
■ DSP1 board (Forward side)



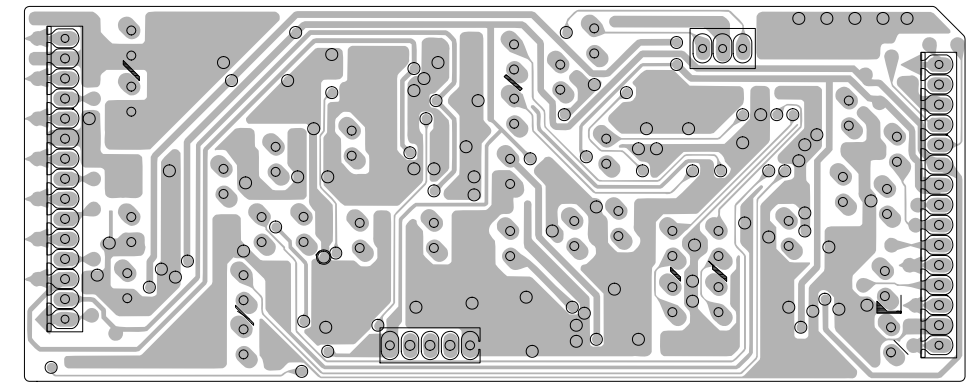
■ DSP1 board (Reverse side)



■ DSP2 board (Forward side)



■ DSP2 board (Reverse side)



5

4

3

2

1

■ Jack board

